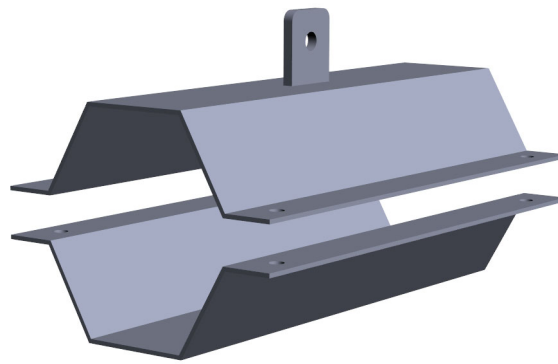




TUBE SUPPORTING

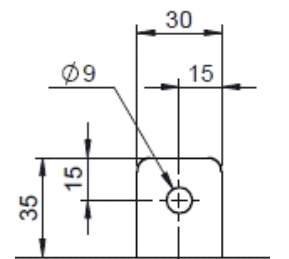
TO BE USED FOR LOCAL SUPPORTING

The conveying tubes have to be supported for a good maintaining of the implantation. We can provide the coupling collars to be used for easy local manufacturing of the these supports following on site.

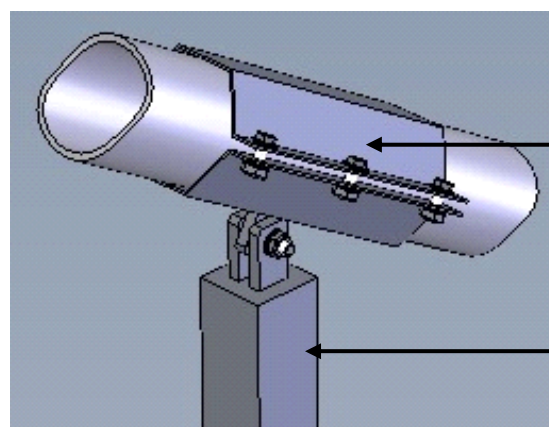
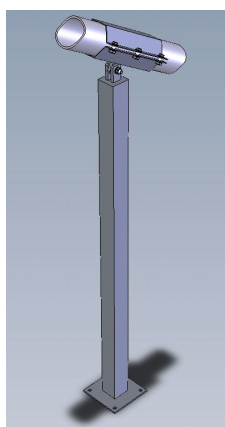


- In two parts, with a fixing union part (see detail)
- Delivered with protection internal joint
- Fixing screws

We advise to use square tubes 50 x 50 mm not included to manufacture the support with correct length on site during setup with fixing union part on one side to connect the kit and a plate on the other side, as indicated hereafter



Detail of fixing union part



INCLUDED

NOT INCLUDED

Bgab-01-AC2_uk-01

